



Log Fork



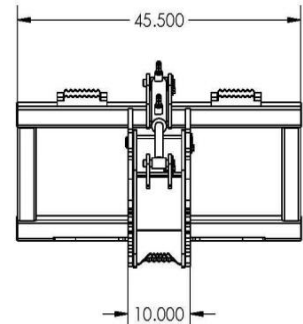
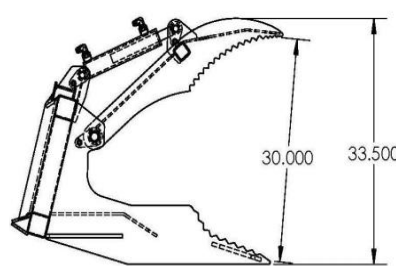
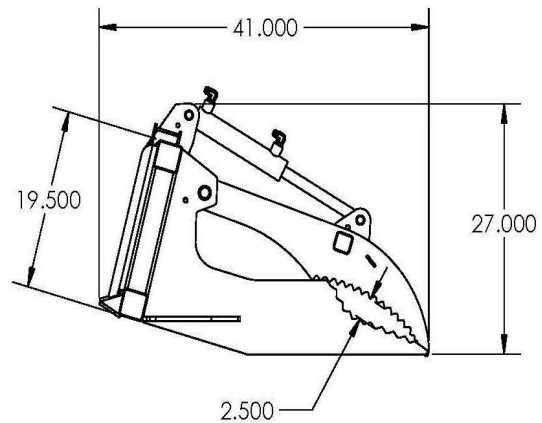
Model # 33217



The Log fork is a unique design that is perfect for grabbing logs from a stack or stacking logs. This attachment is also great for handling rocks, brush and stumps.

Specifications

Width	45.5"
Overall Height - Closed	28"
Overall Height - Open	33.5"
Overall Depth	41"
Grapple Opening	30"
Depth of Bucket	30"
Side Plates	3/4" - Grade 50
Tubing	3" x 3" x 3/16"
Grapple Arms	1/2" Grade 50 - Laser Cut
Cylinder	2" x 8" - Welded Cross Tube
Main Pin	1.50" Diameter - Greasable
Hydraulic Couplers	Factory installed, Flat face
Hydraulic Hoses	3/8" - 3000 psi
PSI Max	3,000 PSI
Weights	460 lbs



All Legend Attachments are painted using a 2 Part Urethane Process for an Exceptional Finish



MODEL #33217	List	WT.
	\$2147.⁰⁰	460



4-2022

Prices and Specifications may be subject to change without notice. Prices do not include shipping or setup.